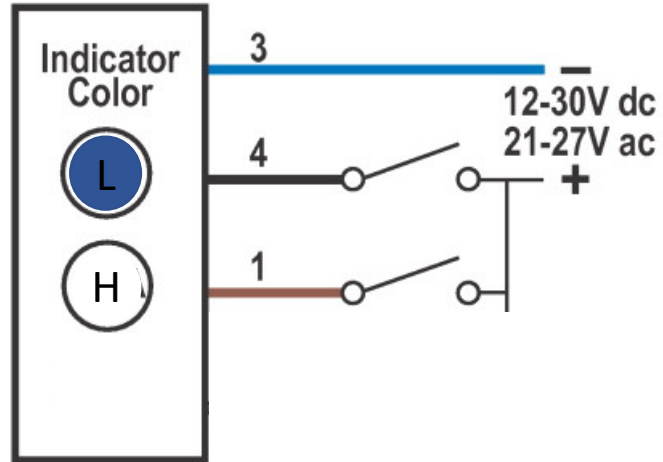
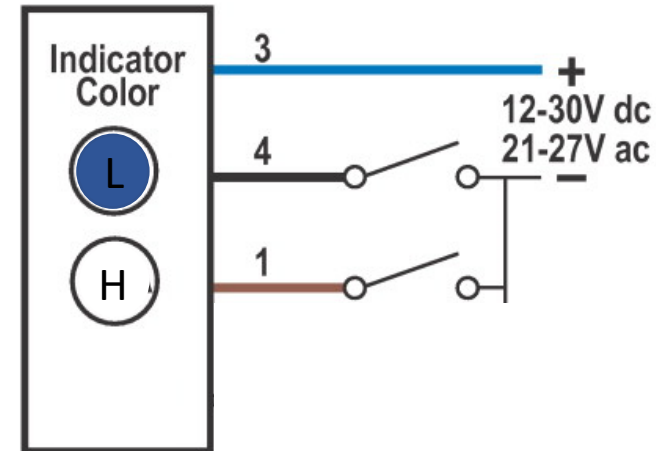


# Alarm Light and Horn direct wiring (no switch assembly or cable)



1 = Brown  
3 = Blue  
4 = Black

OR



1 = Brown  
3 = Blue  
4 = Black