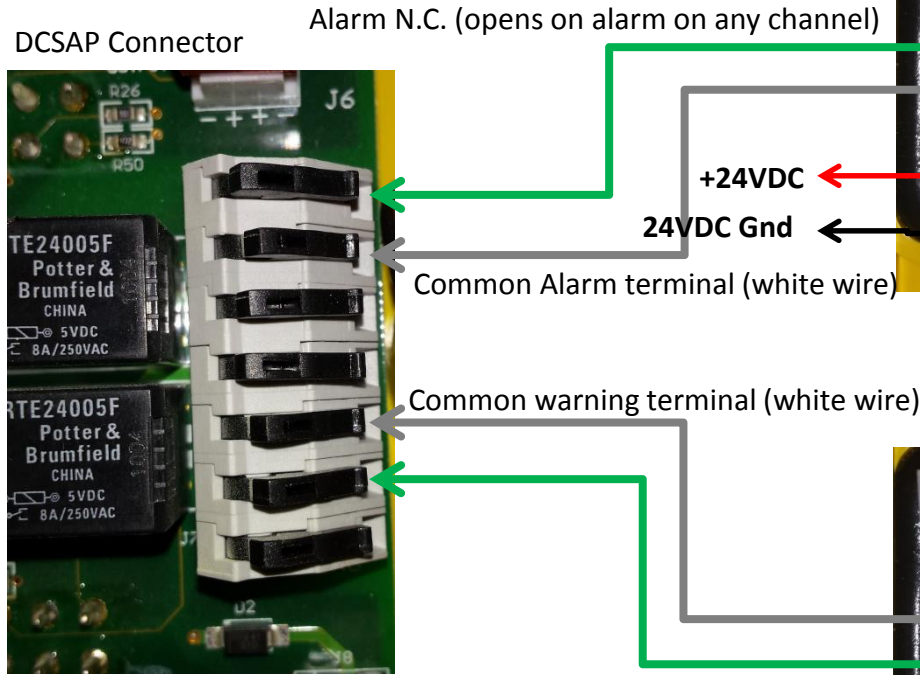
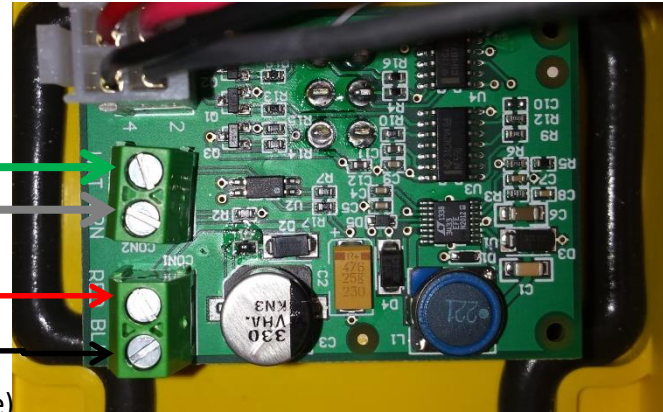


Digital Central Supervisory Alarm Panel (DCSAP) to Remote Alarm Light and Horn

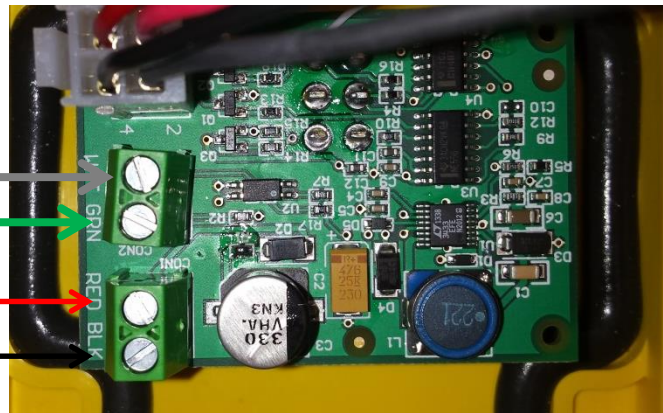
Recommended wire Alpha 1174C
RED, BLACK, GREEN and WHITE



Alarm



Early Warning



When connecting more than one remote alarm light and horn unit to a set of relay contacts, make sure all white wires are together and all green wires are together. Failure to do so will damage the remote alarm light and horn unit printed circuit assembly.