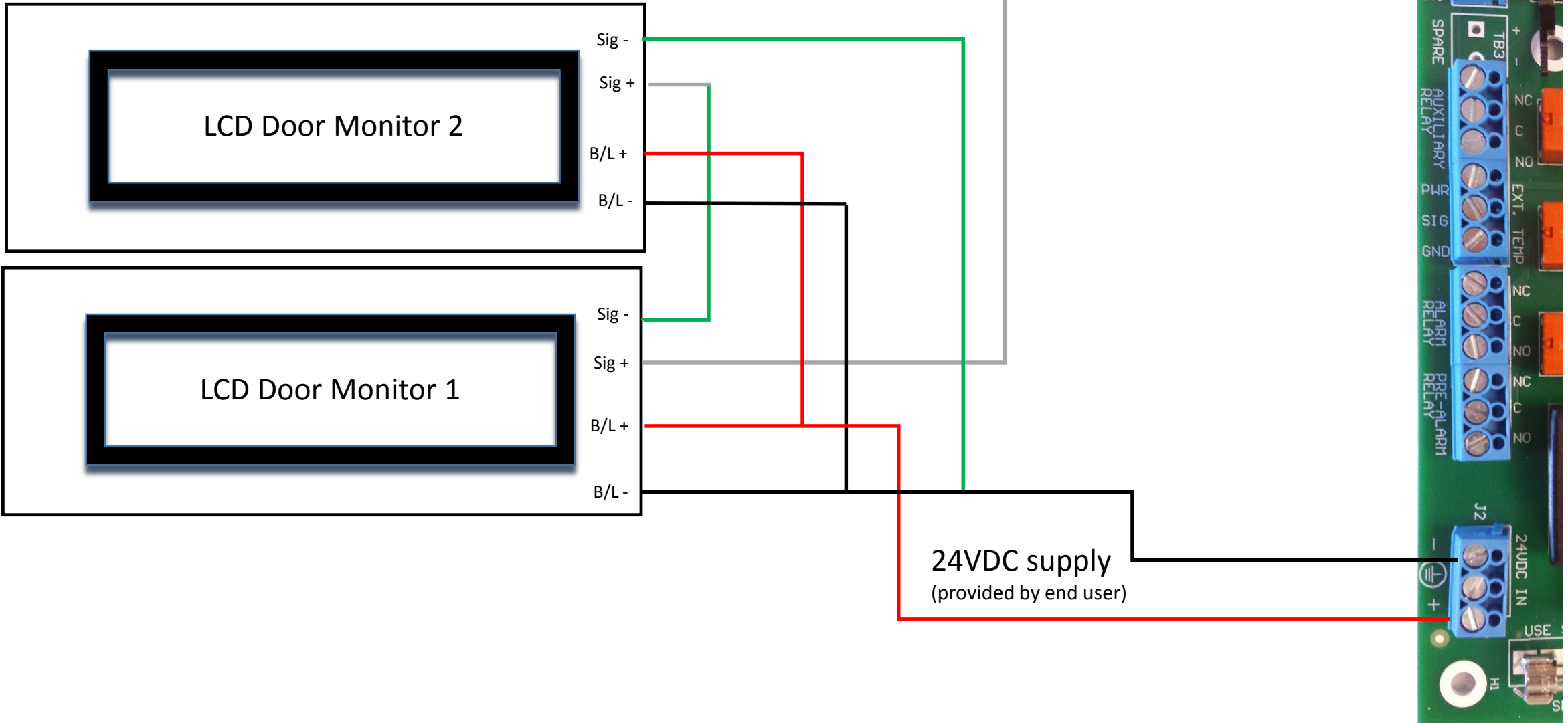


# 2 LCD Door Monitor to LBW-420-1



LCD Door Monitor 2	LCD Door Monitor 1	24VDC Supply (provided by end user)	LBW-420-1 Connection
B/L + Red wire	B/L + Red wire	+24VDC	J2-(+)
B/L - Black wire	B/L - Black wire	-24VDC (gnd)	J2-(-)
Green wire Sig -		-24VDC (gnd)	
	White Wire Sig +		4 to 20mA sensor -
White Wire Sig +	Green wire Sig -		